

For more information go to www.barbourproductsearch.info

Ideal Standard
The Bathroom Works
National Avenue
Kingston upon Hull
HU5 4HS

T 01482 346461
F 01482 445886

www.idealstandard.co.uk

Ideal Standard
M50 Business Park
Ballymount
Dublin 12

T 00353 1 4564525
F 00353 1 4564505

www.idealstandard.ie

iS Ideal
STANDARD www.idealstandard.co.uk



CeraMix Blue

A new generation
A new standard

iS Ideal
STANDARD | Body & Mind

100% INNOVATION

What is Blue Responsibility?

Here at Ideal Standard we believe water is one of our most precious resources. Ideal Standard revolutionised water management with the introduction of the ceramic disc cartridge. Today we go even further... CeraMix Blue is cleverly designed and precision manufactured to help reduce water consumption without compromising on comfort or reliability.

We believe
every drop counts



Precious water

Saving water, energy and money

A green attitude leads to water saving. And water saving means not only saving resources but saving money too. Since the invention of Ideal Standard Ceramic Disc Technology, a host of other features have been developed to ensure a greater level of environmental responsibility.

These include:

Thermostatic-controlled taps and intelligent systems which immediately deliver water at the exact temperature required

Dual flush toilets: less unnecessary waste

Clever bath design: greater immersion with less water volume and materials that maintain the heat of water longer.

Click Cartridge: same regular flow pattern, up to 50% less water consumption



Water purity

Another important consideration today is the purity of the water coming from our taps. Only quality materials and coatings ensure lasting hygiene.

CeraMix Blue is a revolutionary new innovation in water hygiene. This nickel and lead-free technology, is used in all Ideal Standard CeraMix Blue basin mixers to ensure a higher level of water purity.



The Water Efficient Product Labelling Scheme

The Water Efficient Product Labelling scheme (www.water-efficiencylabel.org.uk) is an independently run program endorsed by the department for Environment, Food and Rural Affairs. It is a fast and reliable method of comparing water efficient bathroom and washroom products driven by a regularly maintained database.

Each product on the database has been tested and awarded a colour coded label. A simple scale ranging from low to high water use provides an at a glance indication of its water saving performance.

Save water ...save money for further details see page 10

CeraMix Blue

CeraMix Blue mixers and taps feature revolutionary new technology. The innovative fittings save water and energy costs, helping to save you money as well as being environmentally friendly. The bath filler and bath shower mixers are safe for all the family with their thermostatic control, and cool body features, as well as being designed to give excellent flow rates at low pressure. In addition to this the IdealPure technology on the basin mixers provides safe drinking water. CeraMix Blue offers you peace of mind that your bathroom mixers are safe for all the family as well as being safe for the environment.

2011 CeraMix Blue
IdealPure® innovation

Design by

ARTEFAKT industriekultur the award winning internationally renowned German design company was founded in 1989 by Thomas Fiegl and Achim Pohl. The CeraMix Blue range reflects their mission to create distinctive everyday products that balance form with function and integrate beautifully into their surroundings.



CeraMix Blue

A revolution in efficiency

> Total safety

In addition to the benefits of thermostatic protection, **Cool body** ensures daily safety for all the family thanks to Ideal Standard's revolutionary inside construction which ensures the surface won't ever get too hot. Also all basin models are equipped with a hot water limiter, reducing the risk of scalding.

> Proven water and energy saving

More intelligent water flow : CeraMix Blue uses less water to get up to your desired temperature, and leaves less water in the tap after you turn off. Its flow regulator keeps water use down, while maintaining the flow you need by cleverly mixing water and air.

The tap that pays for itself : the water-saving, energy-efficient and anti-stagnation features of CeraMix Blue are good for the planet and for your pocket – with real savings year after year.

> Optimal water hygiene

IdealPure® : Water passing through the IdealPure® system never touches chrome or nickel. That gives you even purer, even safer water for drinking every day.



Cool body
No hot spots, no risk of scalding... and complete peace-of-mind. The outside surfaces of the CeraMix Blue fittings never get too hot, keeping little fingers safe... and the grown-ups relaxed.

innovation



Basin mixer

Hand rinse basin mixer

Bidet mixer

Rim mounted thermostatic bath filler

Rim mounted thermostatic bath shower mixer

Wall mounted manual bath shower mixer

Exposed manual shower valve

CeraMix Blue thermostatic bath filler

Why thermostats are so important

Hot water has to be stored at or above 60°C to kill off the bacteria that causes Legionnaires disease. However, water that is too hot can scald, with young children and the elderly being particularly at risk. Anti-scald showers and bath fillers are the responsible solution, ensuring every shower and bath taken is safe for all the family.

Both the thermostatic bath filler and bath shower mixer have been designed to meet the requirements of TMV2, the relevant safety standard for thermostatic mixing valves (TMVs), as assessed by Buildcert, the independent industry organisation.

Protecting those you love most

As well as respecting the environment, we respect the right of your whole family to enjoy a safe, relaxing home and fun, worry-free bathtimes.

The CeraMix Blue rim mounted bath filler and bath shower mixer ensure safe bathing and showering. With these fittings you know your family will be protected from scalding water temperatures, whilst being fully compliant with the latest Building Regulations. A thermostatic valve mixes hot and cold water to a pre-selected safe temperature and maintains this temperature throughout, no matter what happens to water elsewhere in the house. They will also automatically shut down if the cold water supply should ever fail.

High performance

The CeraMix Blue thermostatic bath filler and bath shower mixer have been designed to give high flow rates, meaning your bath fills quickly, regardless of the type of hot water system in your house. These are the first thermostatic fittings to be designed specifically for the traditional low pressure gravity systems often found in the UK, most others are designed only for the higher pressure systems and give poor flow rates on a gravity hot water system. The bath shower mixer is also a water saving fitting, as it is supplied with an 8 litre per minute flow regulator in the handspray (this can easily be removed to provide sufficient flow rate on a very low pressure system).

Filling the bath

Our thermostatic bath filler limits the maximum temperature to a safe level. The user can still control their bath's temperature, but won't have to worry about the water being too hot. The TMV recommended temperature for bath fill is 46°C (taking into account temperature loss, this is not a safe bathing temperature). The British Burns Association recommends 37°C to 37.5°C as a comfortable bathing temperature for children.



Better control

With Ceramix Blue thermostatic fittings there is the added advantage that the pre-selected temperature can easily be adjusted by the user, up to a safe limit. This adjustment cannot easily be achieved with a thermostat located under the bath. It is even more useful with the bath shower mixer where both the bath and shower temperature can be set exactly as required for maximum comfort. There is also the added advantage that installation is much quicker, with less making good preparation for decor, as the fittings are rim mounted rather than having a TMV located under the bath.



Taking a shower

Any sudden changes in a shower temperature aren't just unpleasant, they can be dangerous too. The thermostatic bath shower mixer lets your family set their ideal temperature, while an automatic shut down eliminates the risk of scalding. The TMV recommended temperature for showers is 41°C.

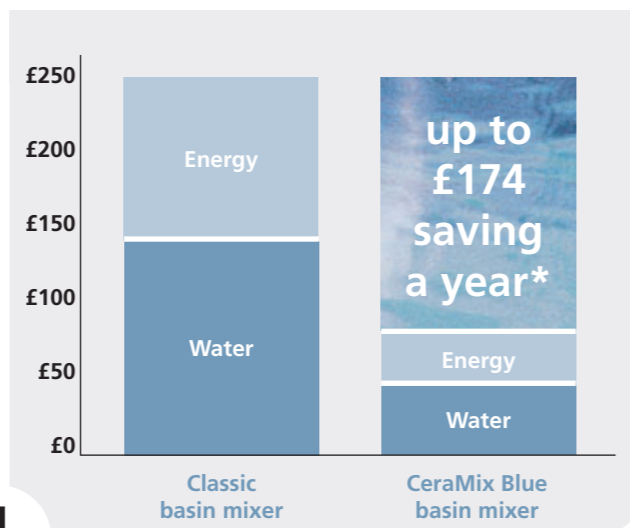
Save water ... save money

CeraMix Blue is engineered to use less water and energy thanks to features like the flow regulator and the fact that less water is held in the tap when it is off. And by saving energy and water, it saves you money.

Those savings add up fast... up to £174 a year*

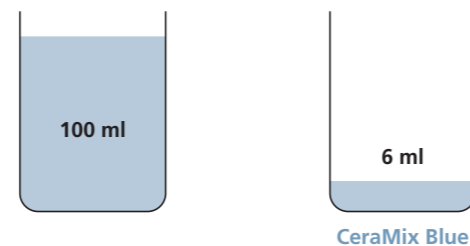


* Based on a household of four people using a single basin mixer. Average water price £1.77/m³ and energy price 7.23p/kWh. Assumes water is heated by natural gas, existing basin mixer is installed without a flow regulator and typical usage. Figures independently verified by Prof. Dr. Harmut Hotop (iR), Technical University of Kaiserslautern. Correct at time of going to press.



More intelligent water flow

By reducing the amount of water held in the CeraMix Blue fitting by 80%, there is less water to flush through. That also means there is 80% less water in the tap to stagnate and allow bacterial growth.



The flow regulator reduces water consumption from 9 to 5 litres per minute without any noticeable loss of flow, as water is mixed with air.

IdealPure®

A revolution in water hygiene



IdealPure®

CeraMix Blue introduces IdealPure®: a unique nickel and lead-free design for basin mixers used to draw water for drinking. It's the first fitting on the market with nickel and lead free waterways, anticipating and exceeding new European Drinking Water directives.

Water passing through the IdealPure® system never touches chrome (which contains nickel): copper tubes are unplated inside, while water-bearing surfaces are made from plastic.

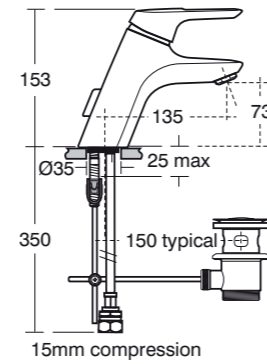


CeraMix Blue



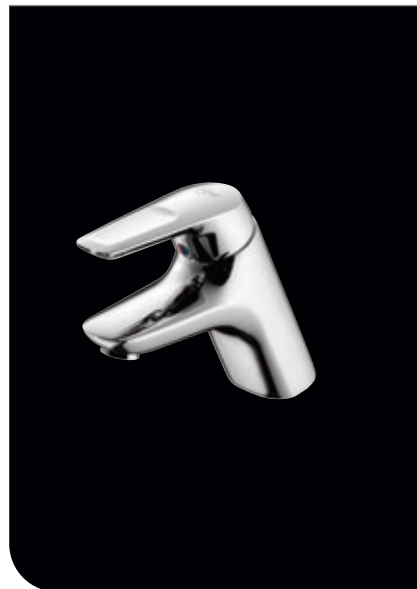
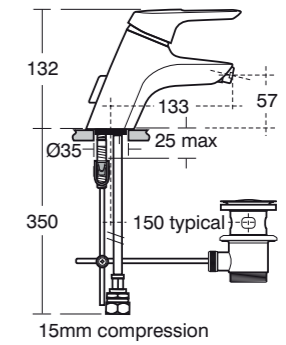
Basin mixer with pop-up waste
Cool body
Nickel and lead free waterways
Cartridge 40mm with hot water limit stop
5 litres per minute aerator
Flow straightener also supplied
Top fix
Flexible hoses G $\frac{1}{2}$ " compression Ø15mm
Metal pop-up waste
Chrome

A5648AA



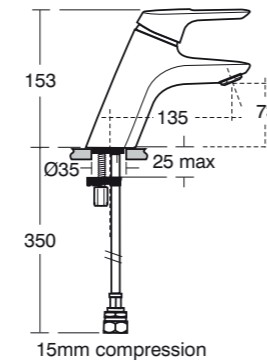
Bidet mixer with pop-up waste
Cool body
Nickel and lead free waterways
Cartridge 40mm with hot water limit stop
5 litres per minute aerator with ball joint
Flow straightener also supplied
Top fix
Flexible hoses G $\frac{1}{2}$ " compression Ø15mm
Metal pop-up waste
Chrome

A5656AA



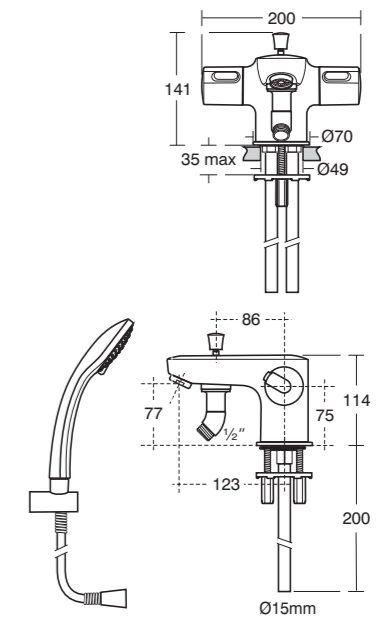
Basin mixer without waste
Cool body
Nickel and lead free waterways
Cartridge 40mm with hot water limit stop
5 litres per minute aerator
Flow straightener also supplied
Easy fix
Flexible hoses G $\frac{1}{2}$ " compression Ø15mm
Chrome

A5649AA



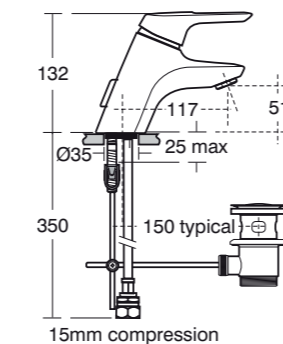
Thermostatic bath shower mixer
Rim mounted 1 hole with shower set
Thermostatic cartridge
Temperature adjustment
Safety stop at 40°C with manual override
Automatic diverter
Copper tubes Ø15mm
Shower set:
3 function shower handspray
Shower hose 1.8m
8 litre per minute flow regulator
Wall bracket
Hose retainer
Chrome

A5667AA



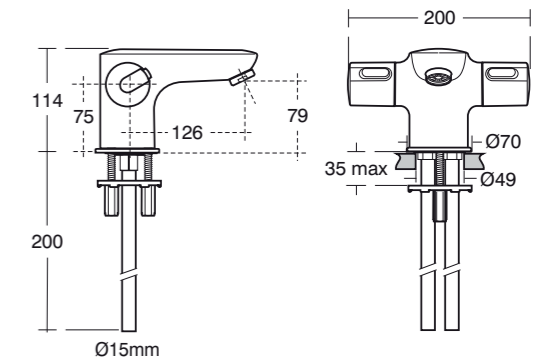
Hand rinse basin mixer with pop up waste
Cool body
Nickel and lead free waterways
Cartridge 40mm with hot water limit stop
5 litres per minute aerator
Flow straightener also supplied
Top fix
Flexible hoses G $\frac{1}{2}$ " compression Ø15mm
Metal pop-up waste
Chrome

A5652AA



Thermostatic bath filler
Rim mounted 1 hole
Nickel free waterways
Thermostatic cartridge
Temperature adjustment
Copper tubes Ø15mm
Chrome

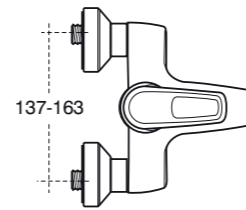
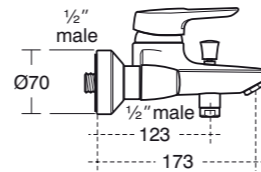
A5668AA





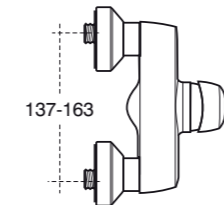
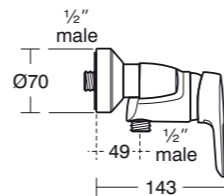
Wall mounted bath shower mixer without accessories
 Cartridge 47mm
 with hot water limit stop
 Aerator
 Automatic diverter
 Including escutcheons and S-connectors
 Chrome

B9490AA



Shower valve Exposed without accessories
 Cartridge 47mm
 with hot water limit stop and click
 Including escutcheons and S-connectors
 Chrome

B9493AA



- IdealPure
- Top fix
- Ceramic Disc
- Temperature Limit Stop
- Cool Body
- Flow Regulator
- High Pressure Installations only
- Safety Stop 40°C
- Thermostatic Valve 38°C

Easy to fit

Innovative patented Easy Fix and Top Fix features mean CeraMix Blue mixers can be fitted quickly and easily, with no risk of leakage, no limescale deposits and easier maintenance.



Top fix*
 Installing a fitting from below is fiddly and time-consuming. Our innovative Top Fix solution means you can fit from above, simplifying and speeding up the whole process.



Easy-Fix*
 Every plumber knows the time-consuming and costly problem of centring a mixer into a basin tap-hole. Our Easy-Fix system uses a single fixing both to secure and centre the mixer automatically in one swift move.

*Available on selected models. See full specifications for details.



Guarantee
 Our confidence in the quality and reliability of CeraMix Blue mixer fittings enables us to guarantee the range for 5 years from date of purchase. This guarantee does not cover general wear and tear.

Our guarantee is offered on all products that have been used in the manner for which they were intended, and does not apply to any products that have been misused or abused in any way. Products must be installed and cared for in line with our fixing instructions and local water byelaws. The guarantee covers products in domestic use by the consumer and not commercial or business use.

In the unlikely event the product fails within the guarantee period, we offer a free replacement or replacement part (or nearest equivalent). Liability is limited to individual products and does not cover consequential loss or damage on installations. When your CeraMix Blue fitting has been satisfactorily installed and is working well, please ensure you register your guarantee. The guarantee is transferable - it applies to the product not the purchaser provided guarantee registration details are passed on to the new owner. You can register for guarantees on a bathroom bought on your behalf by a plumber or builder.

Applies to UK and Republic of Ireland only. This guarantee does not affect your statutory rights.

Ideal Standard pursues a policy of continuing improvement in design and performance of its products. The right is therefore reserved to vary specifications without notice. Colour reproduction is as accurate as possible within the limitations of the printing process.

A division of Ideal Standard (UK) Ltd. P1583 07/11